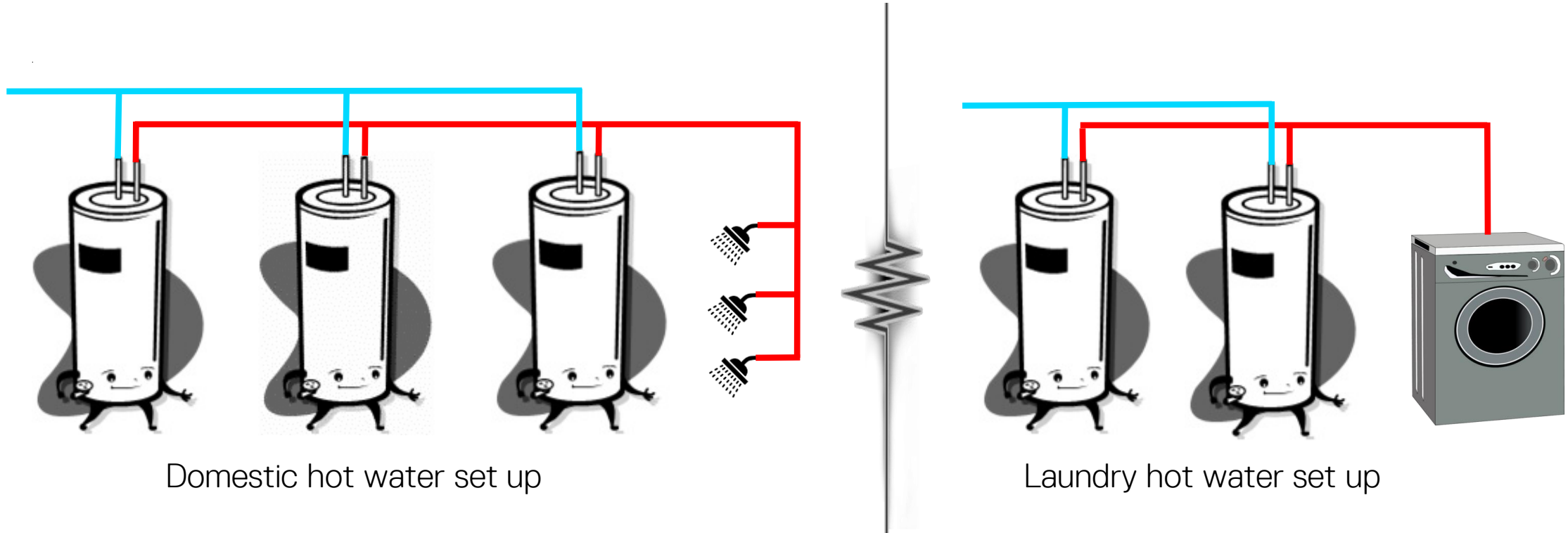


Intellihot Domestic Hot Water and Laundry Configuration



Traditional Systems

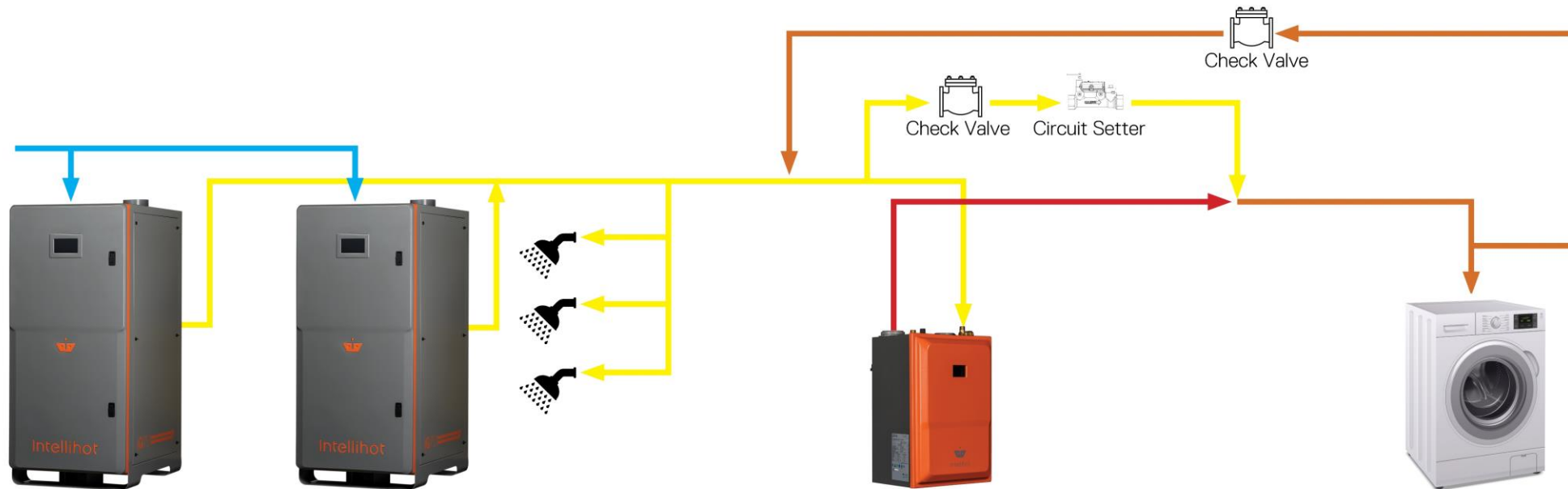


Domestic hot water set up

Laundry hot water set up

- 2 separate systems
- Catastrophic failures and loss of hot water
- High capital expenditure and space needs

Intellihot's Domestic and Laundry setup

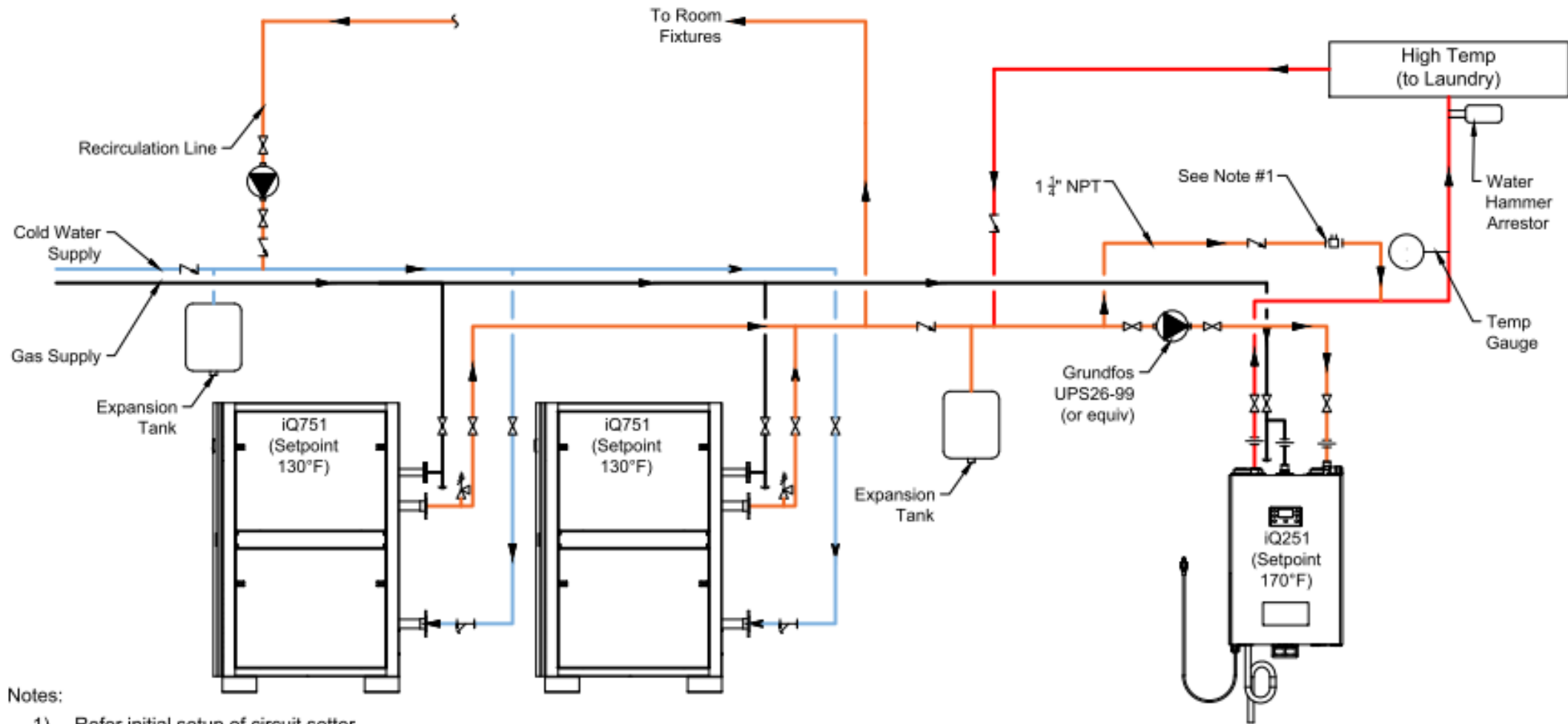


iQ751
Domestic Hot Water (DHW) Units

iQ251
Laundry Booster Unit

- Utilizes existing domestic capacity
- Eliminate high/tempered lines and cost
- Eliminates mixing valve, its costs and unreliability
- No storage; eliminate legionella and energy waste
- Built-in Redundancy for both laundry and DHW

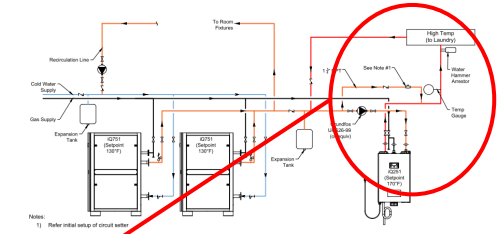
How the system works



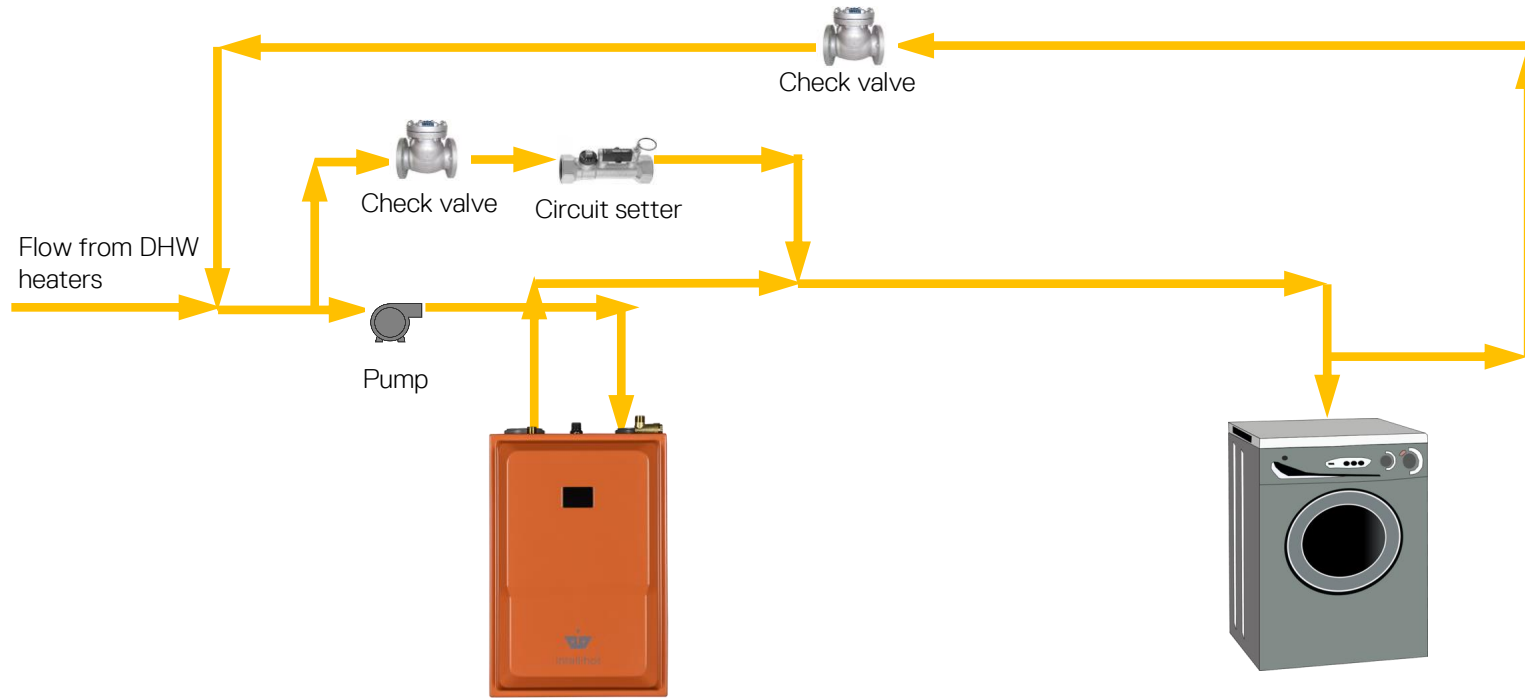
Notes:

- 1) Refer initial setup of circuit setter

Laundry Not in use



- Laundry loop remains hot
- Zero lag time for hot water when on demand

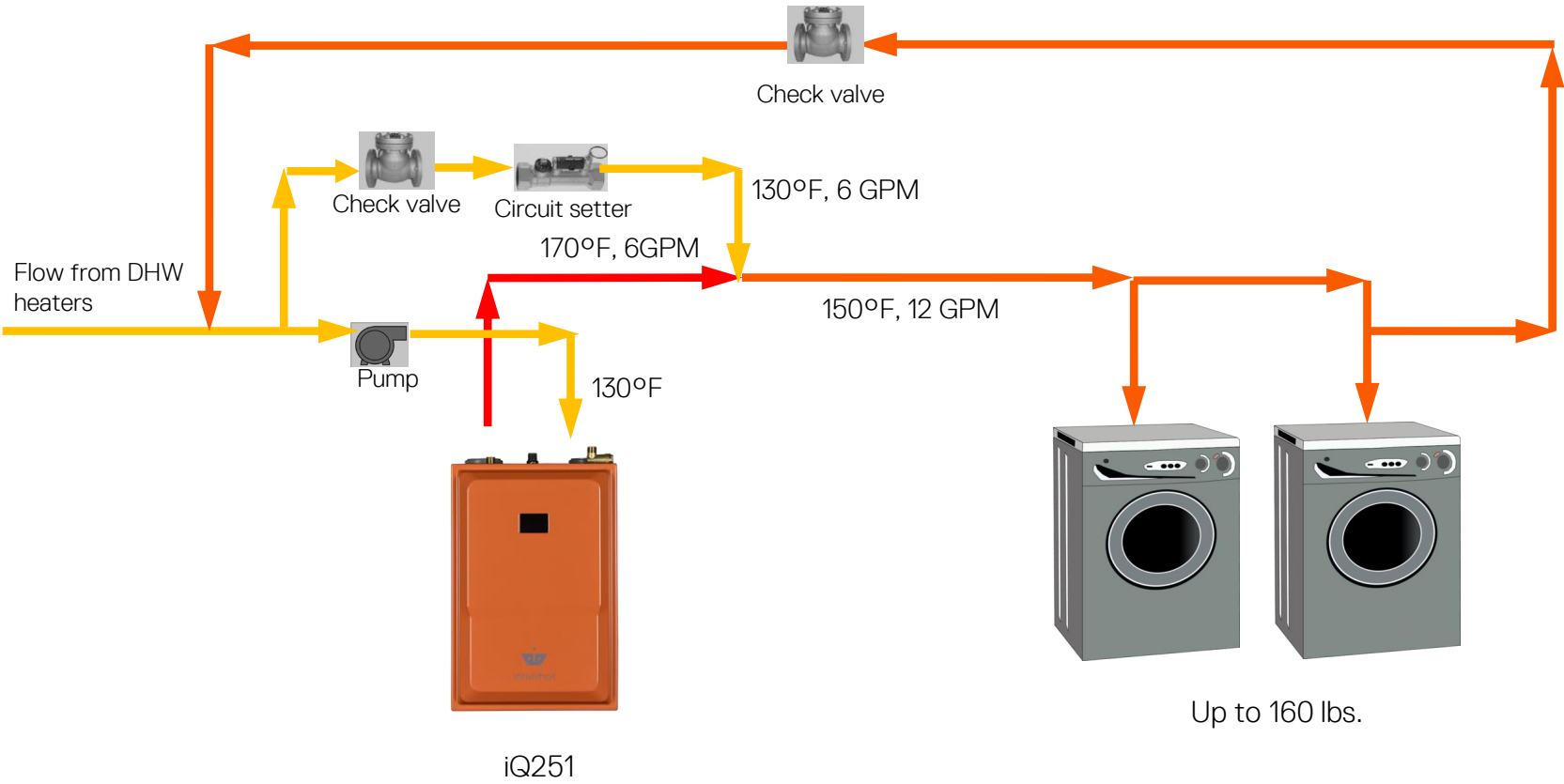


iQ251

Laundry in use



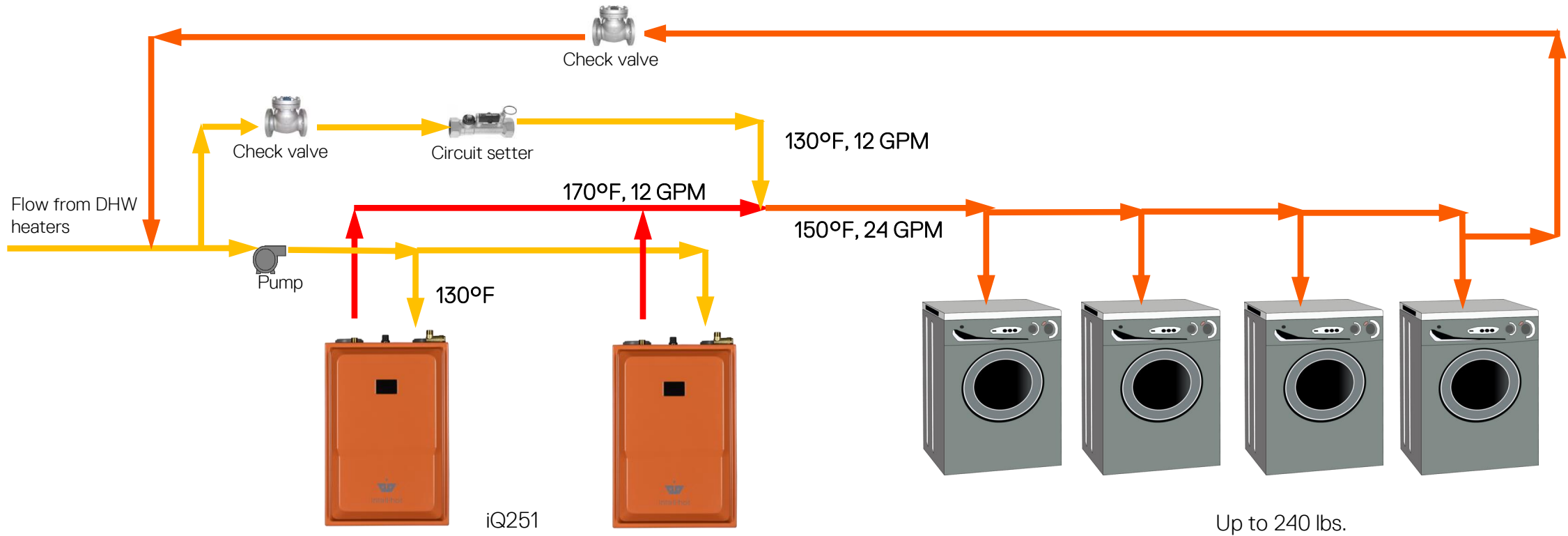
iQ251(1) set up, Up to 160 lbs.



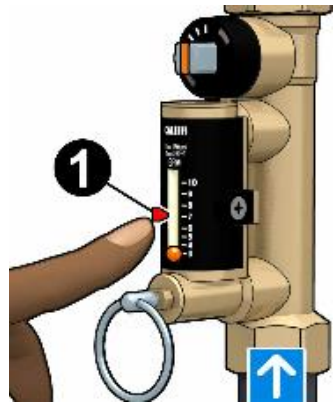
Laundry in use



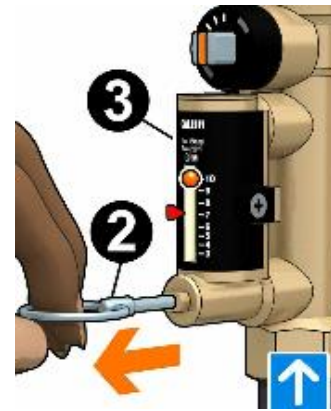
iQ251(2) set up, Up to 240 lbs.



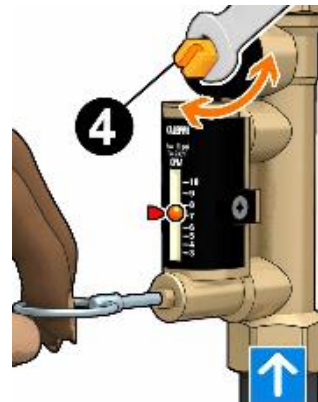
Initial Set up of Circuit setter



- Set the laundry units to fill mode
- Close the isolation valve to iQ251 and make sure all the flow is through the circuit setter
- Set up the desired flow rate (6 or 12GPM) based on laundry capacity by adjusting the red indicator arrow (1)



- Use operating ring (2) to open the bypass valve slowly
- Water is passed through the flow meter (3) and the bypass valve is automatically closed under normal operating conditions



- While the laundry is filling pull the operating ring to register a flow reading
- Make sure the red indicator arrow and silver ball aligns for the desired flow rate
- Adjust the control stem (4) at the desired flow rate
- Open the isolation valve to return the flow to iQ251

Technical details



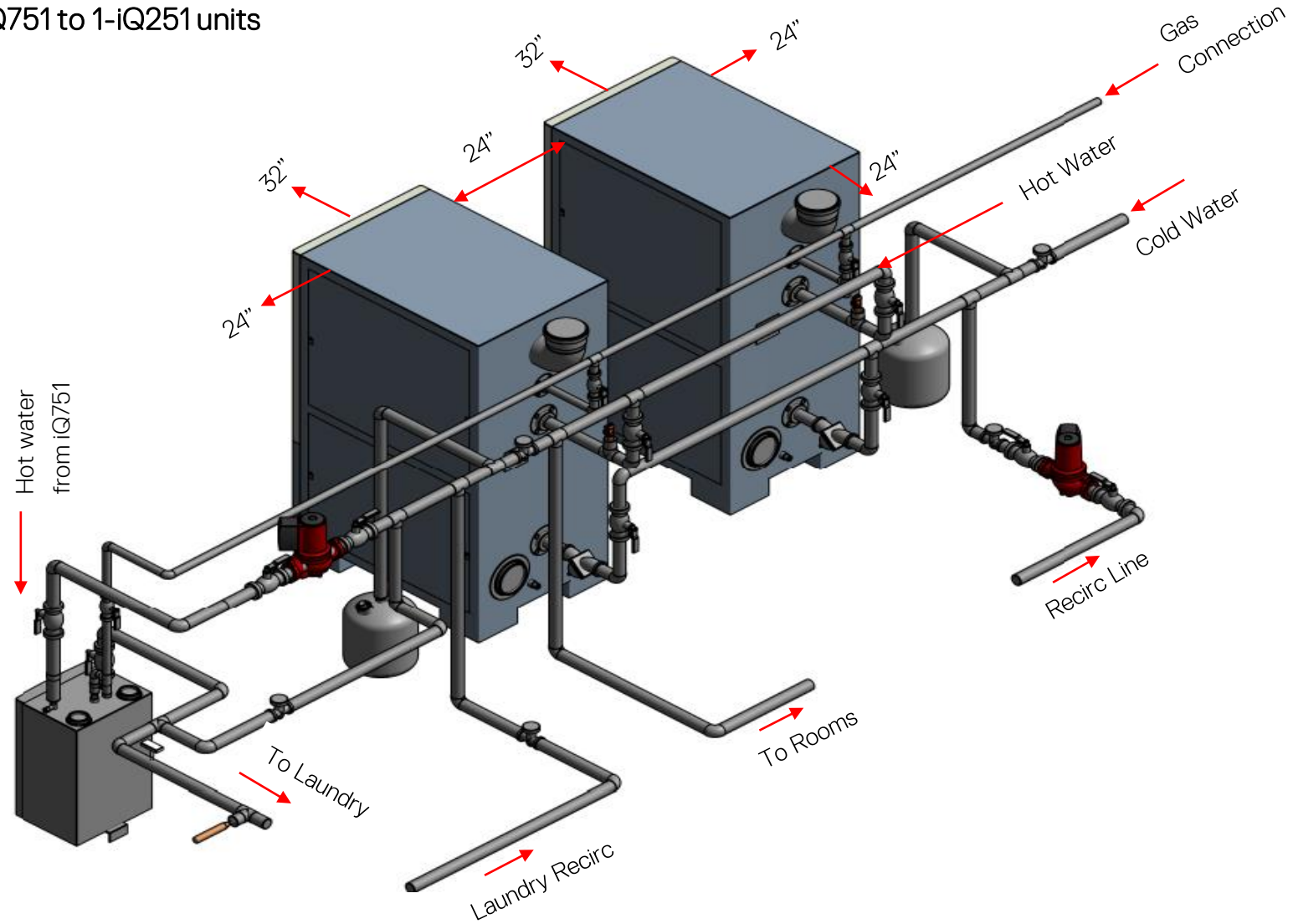
Intellihot's Recommended settings:

Intellihot's units on Laundry side	Laundry capacity	Suggested GPM on circuit setter	Circuit setter specification	
			Connection	Flow rate range (GPM)
iQ251 (1)	Up to 160 lbs.	6	1 ¼" NPT	5.0 – 19.0
iQ251(2)	Up to 240 lbs.	12	1 ¼" NPT	5.0 – 19.0

3D Schematic

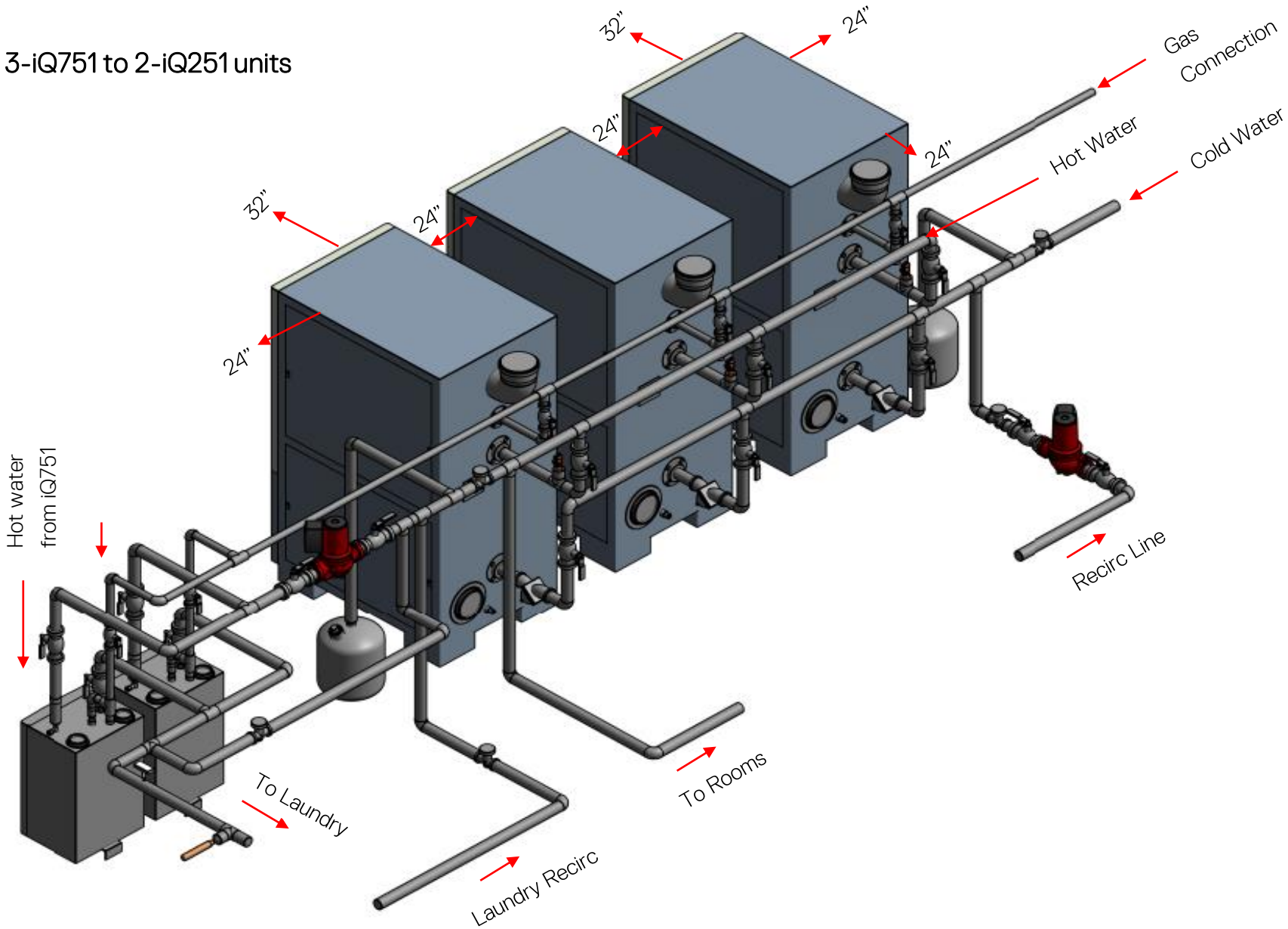


2-iQ751 to 1-iQ251 units





3-iQ751 to 2-iQ251 units





Thank you