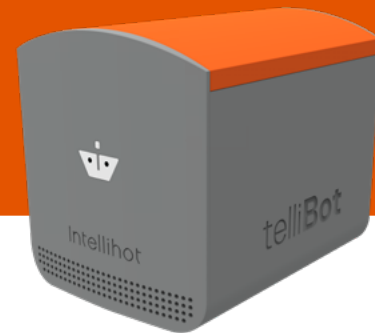


Date:	<input type="text"/>	Bid Date:	<input type="text"/>
Project Name:	<input type="text"/>		
Project #:	<input type="text"/>	Model Selection:	<input type="checkbox"/> iB301 <input type="checkbox"/> iB3001
City   State   Zip:	<input type="text"/> <input type="text"/> <input type="text"/>		
Engineer:	<input type="text"/>		
Contractor:	<input type="text"/>		



iB301



iB3001

## KEY FEATURES

- Monitor water temperatures - Utilizing a clip-on probe, monitor the boiler or water heater supply/return temperatures.
- Prevent leak damages - A built-in leak sensor notifies of any water leaks in the boiler room or condensate back-ups. If the optional water valve kit is installed, telliBot can shut off the water and turn off the boiler or water heater.
- Gas and Carbon monoxide safety - A carbon monoxide and flue-gas sensor notifies of any leaks. If the optional gas valve kit is installed, telliBot can shut off the gas.
- Monitor hot water demand and draw profile if the optional flow sensor kit is installed.
- Neutralize acidic condensate from any gas-fired appliance.
- Mobile app - telliBot comes with a mobile app that sends automated notifications.
- Prevent corrosion damage - telliBot monitors the neutralizer media usage and sends a notification through an app when it is time to replace it. No more guessing when to reload the media and risk corrosion damage.
- Option factory monitoring service - if subscribed to telliBot service, factory to ship the media before it is used up.

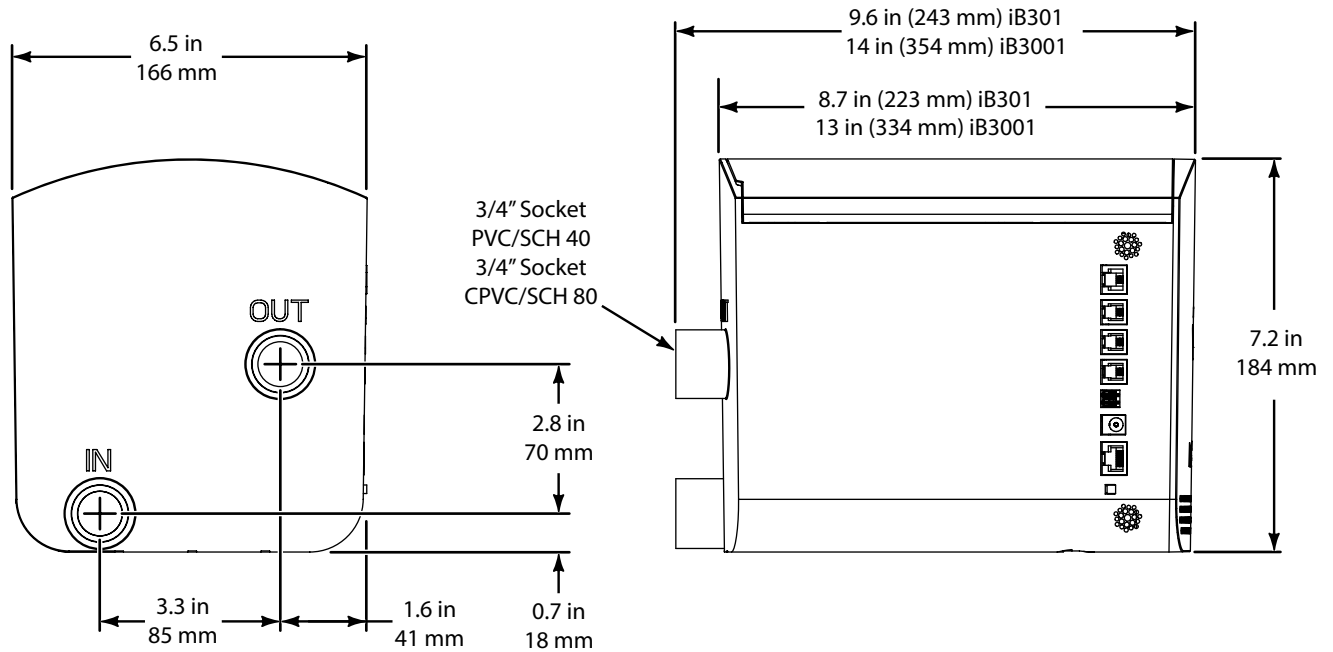
## PREDICTIVE ANALYTICAL SERVICE

- Monitor the supply/return temperatures of any water heater or boiler, and send alerts for abnormal temperatures.
- Water Leakage & Condensate Backup - Send alerts for any leaks that might occur.
- Carbon Monoxide (CO) and Fuel-gas leakage - Send alerts for any leaks that might occur.
- Condensate Neutralizer Media - Monitor the media usage and ships out new media before it is fully consumed.
- Remote ON/OFF capabilities - if gas or water leaks occur, can turn off water heater or boiler with a remote interlock.
- Audio & Visual Alerts on the unit and via the app.



Intellihot

## telliBot Dimensional Specifications



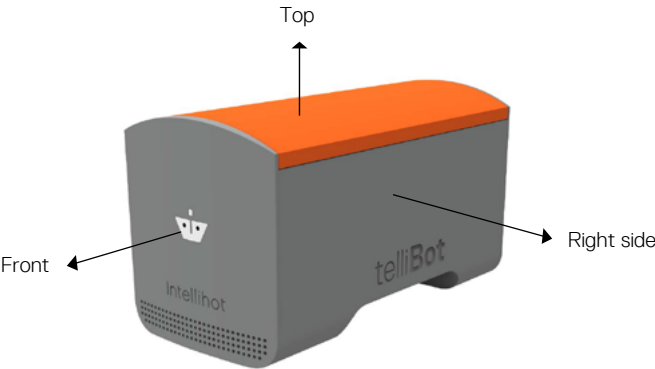
## telliBot Specifications

PARAMETERS	MODEL	
	iB301	iB3001
Maximum rated (BTU/hr)	Up to 300,000 BTU/hr	Up to 3,000,000 BTU/hr
Gallons per Hour (GPH) max.	2.5	25
Dimensions H x W x D (Inches)	7.2" x 6.5" x 9.6"	7.2" x 6.5" x 14"
Weight (LBS)	3.5 LBS	4.5 LBS
Weight of Media Bag (LBS)	2 LBS	3 LBS
Electrical Voltage	120V AC, 60 Hz	
Electrical Power Consumption	75W (Max)	
Boiler Interlock Contacts	100 mA, 60 Volts AC/DC	
Safety Alarms	Carbon Monoxide Alarm, Natural Gas Leak Alarm, Water Leak Alarm, pH Alarm	
Wi-Fi Enabled	802.11 b/g	
Notifications	Email, SMS, App	
Add-On, Accessory Kits	Water Valve Kit, Gas Valve Kit, Flow Sensor Kit	
Warranty	1 year	



Intellihot

## telliBot Clearance Requirements



Location	Service Clearance
Front	12"
Back	6"
Right side	0"
Left Side (Electrical connection)	6"
Top	12"
Bottom	0"

## telliBot Electrical Data

Electrical power required for the telliBot is 120V AC, 60 Hz (75W Max). Please ensure correct polarity of outlet before plugging in unit.